

Master Works  
 Russell Cook  
 PO Box 167  
 Bennington, OK 74723

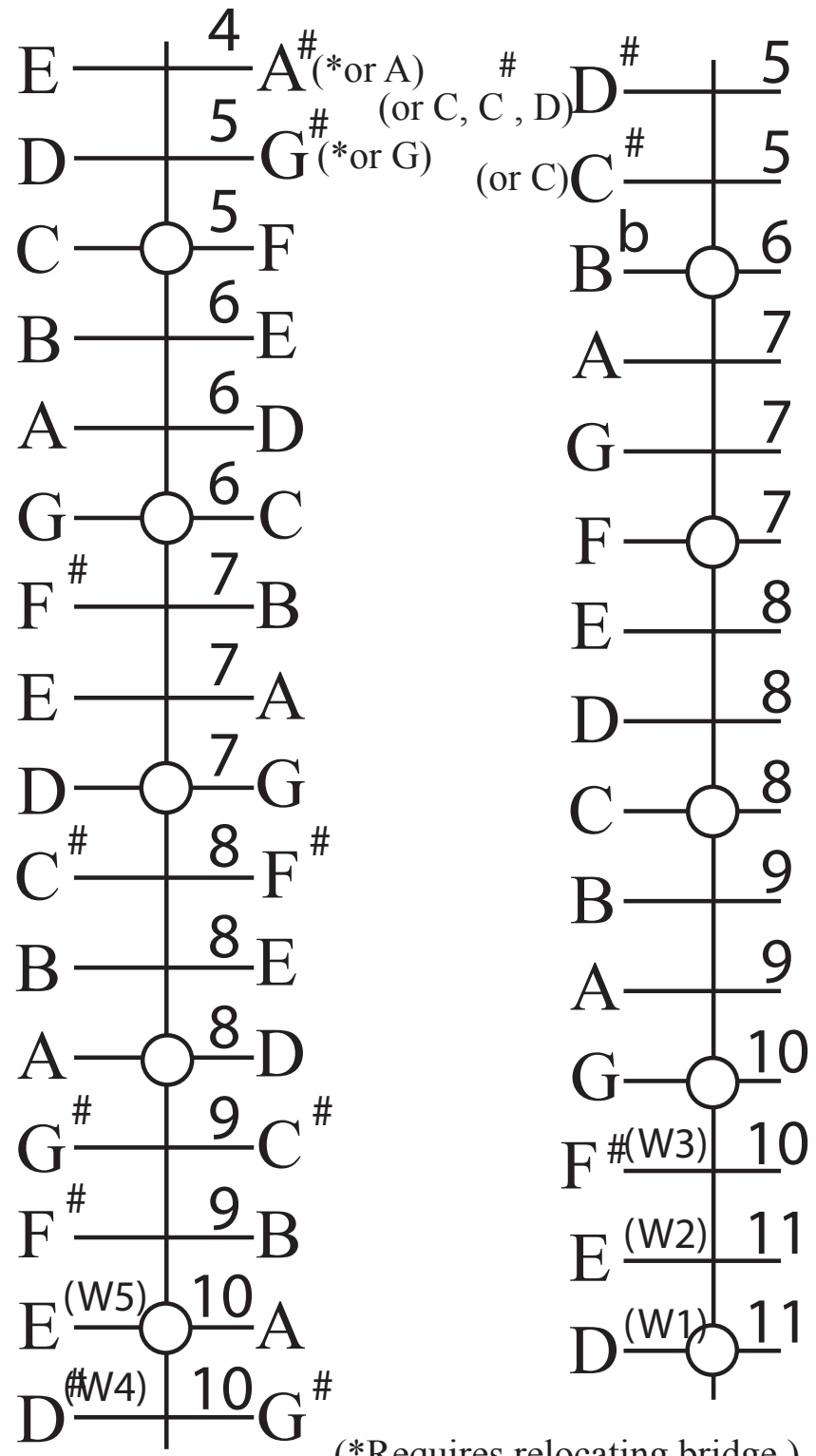


580-847-2273  
 Fax: 580-847-2245  
 info@masterworksok.com  
 www.MasterWorksOK.com

## 16-15 String Gauge Chart

Gauge - Size
.012 - #4
.014 - #5
.016 - #6
.018 - #7
.020 - #8
.022 - #9
.024 - #10
.026 - #11

Custom wound strings are available for the lower courses and are identified by the numbers in parenthesis.



(\*Requires relocating bridge.)